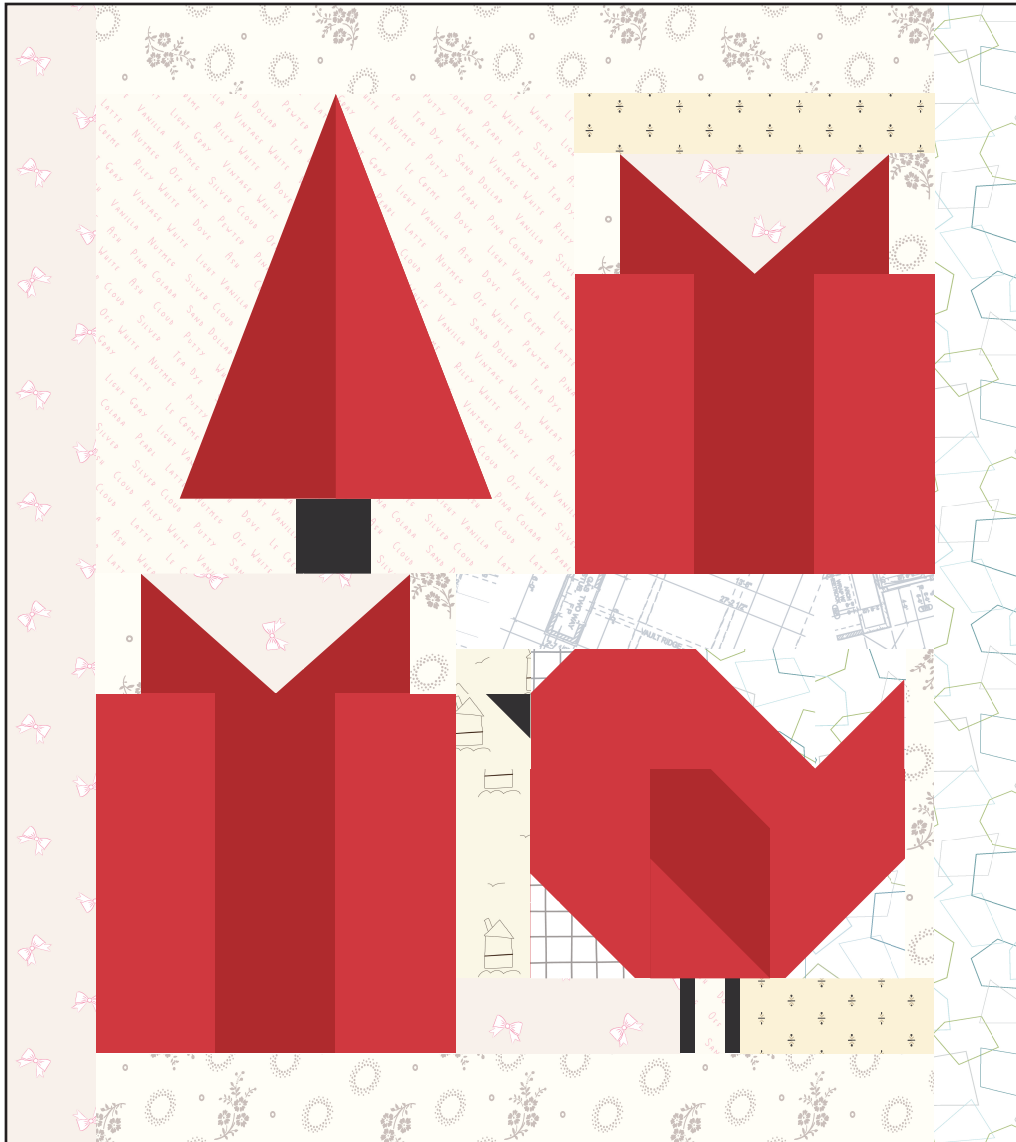


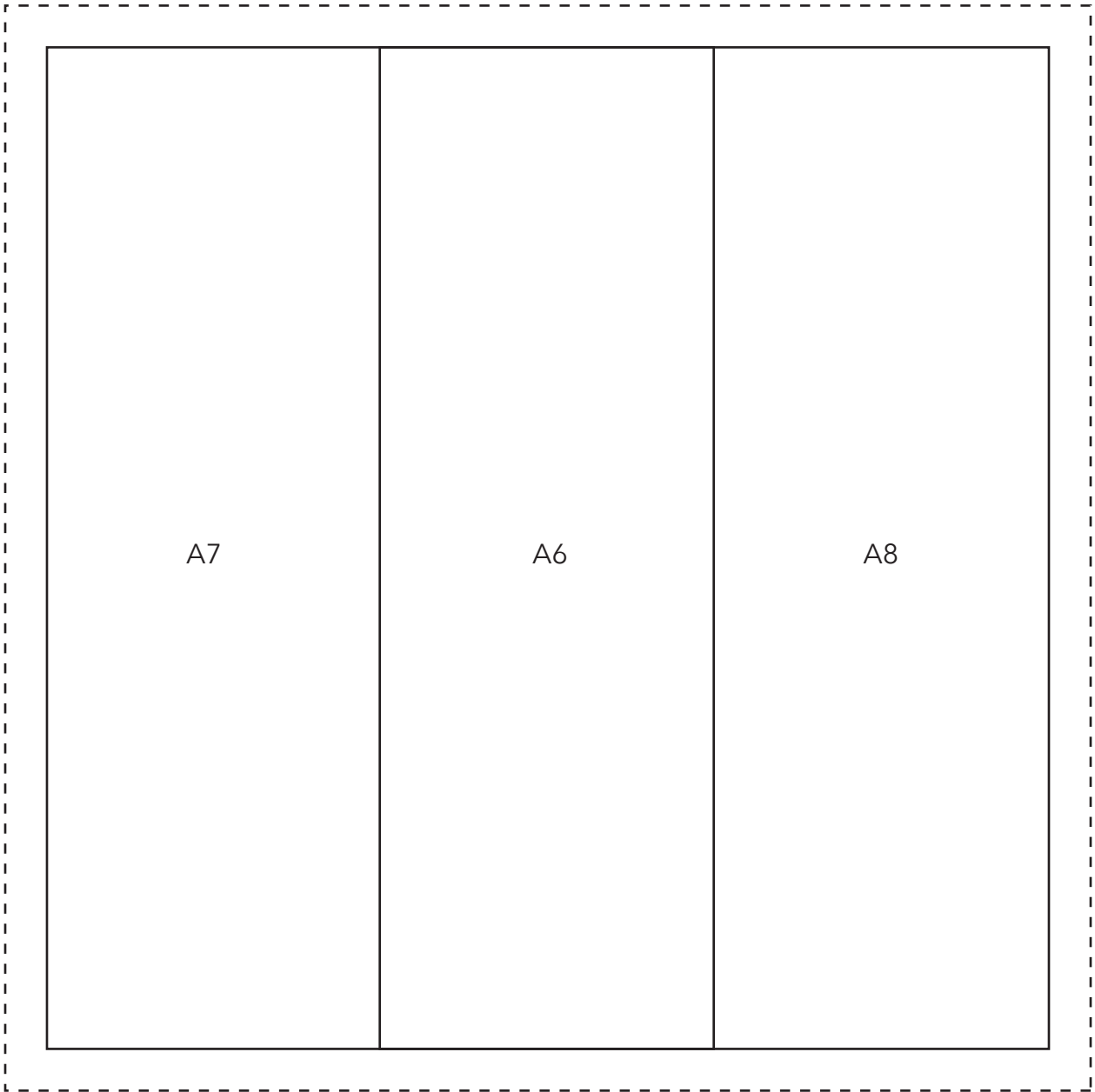
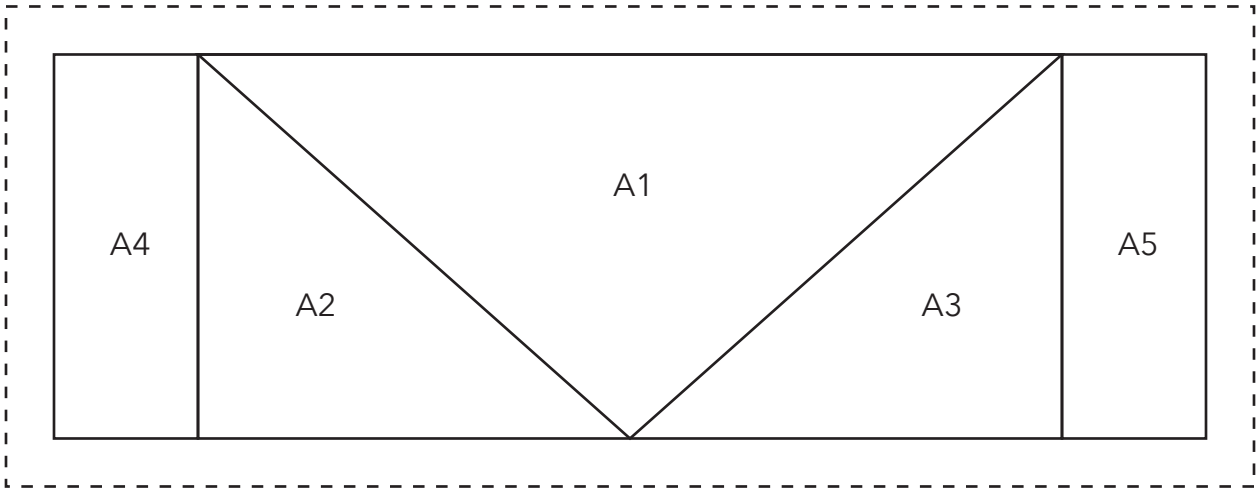
# FOLLOW THE BLUE BIRD



## A FREE FPP PATTERN

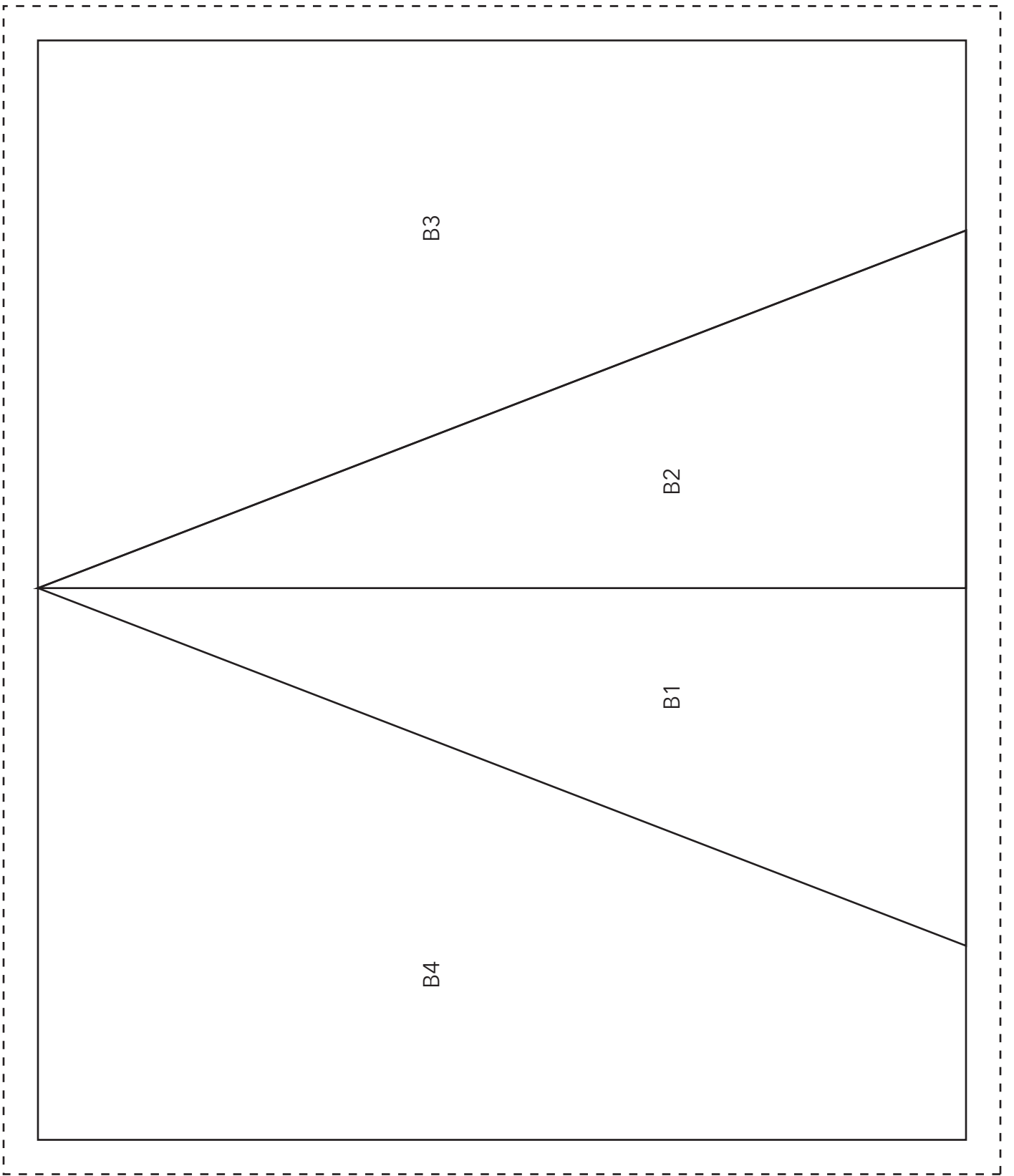
DOWNLOAD THE BIRD PATTERN AT  
[WWW.RILEYBLAKEDESIGNS.COM](http://WWW.RILEYBLAKEDESIGNS.COM)

MAKE 4 BLOCKS, SEW TOGETHER, ADD BORDERS (2½" WIDE STRIPS)  
LAYER QUILT TOP, BATTING, BACKING AND QUILT  
BIND AS DESIRED



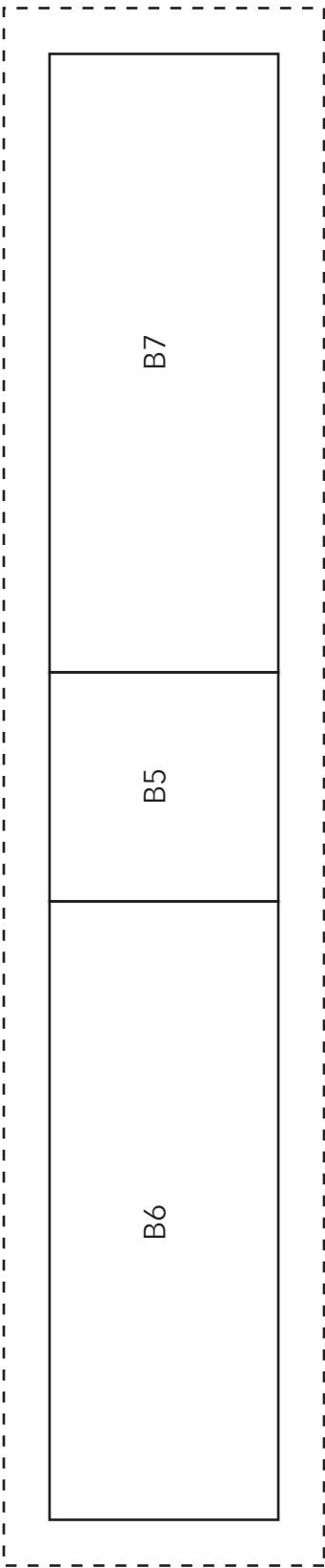
1"  
TEST  
BLOCK

©2021 The Tattooed Quilter  
[www.thetattooedquilter.com](http://www.thetattooedquilter.com)  
[@the\\_tattooed\\_quilter](https://twitter.com/the_tattooed_quilter)



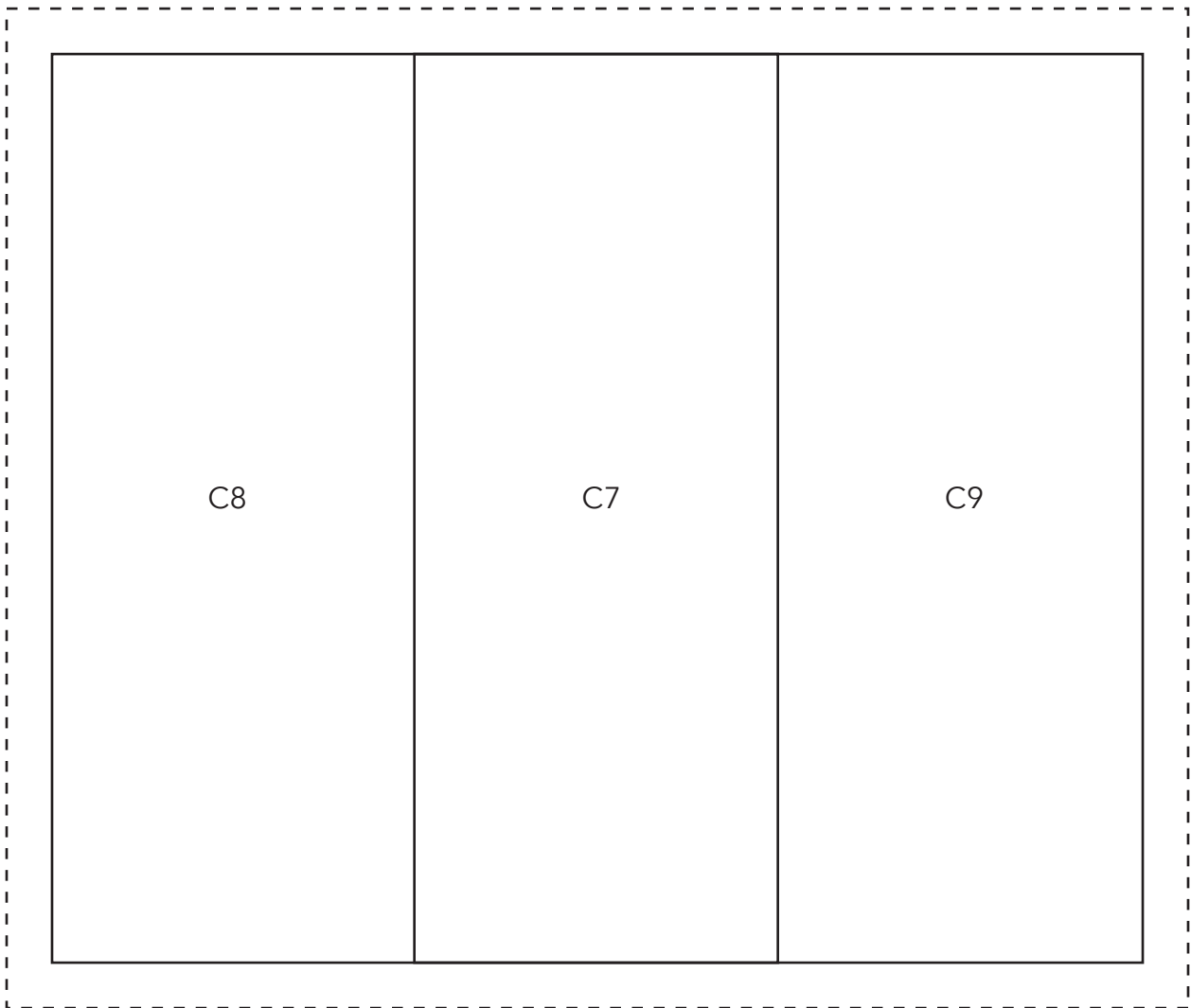
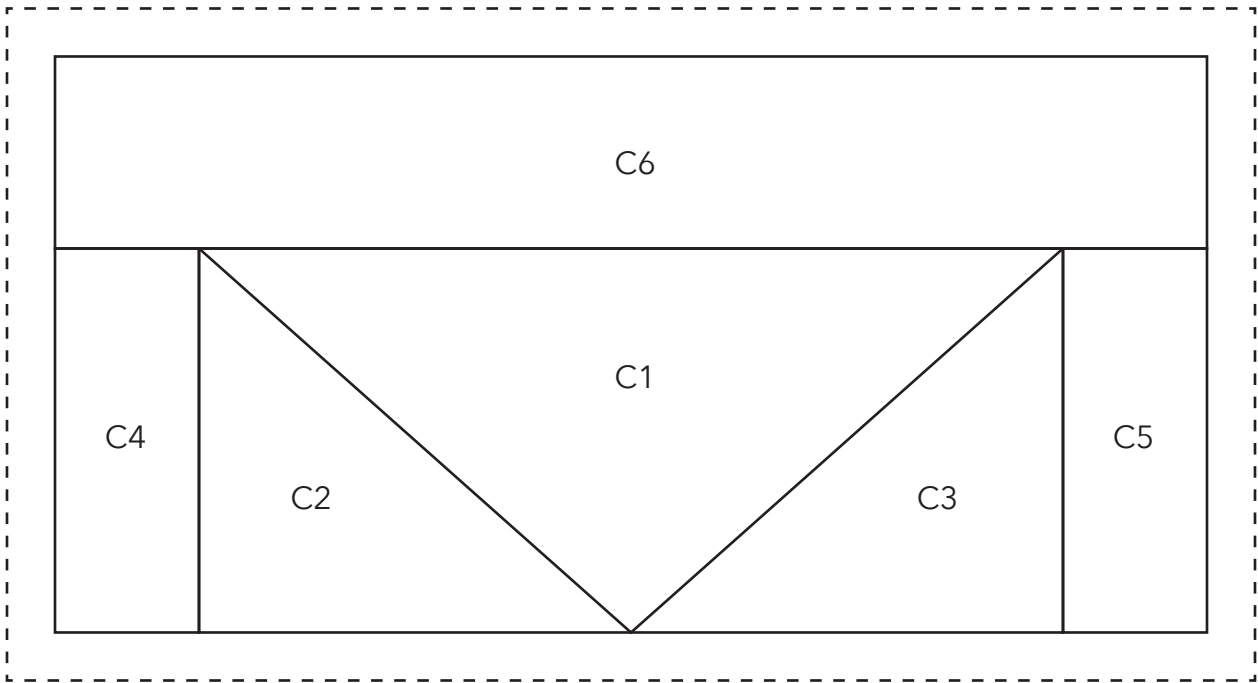
1"  
TEST  
BLOCK

©2021 The Tattooed Quilter  
[www.thetattooedquilter.com](http://www.thetattooedquilter.com)  
[@the\\_tattooed\\_quilter](https://www.instagram.com/the_tattooed_quilter)



1"  
TEST  
BLOCK

©2021 The Tattooed Quilter  
[www.thetattooedquilter.com](http://www.thetattooedquilter.com)  
[@the\\_tattooed\\_quilter](https://twitter.com/the_tattooed_quilter)



1"  
TEST  
BLOCK

©2021 The Tattooed Quilter  
www.thetattooedquilter.com  
@the\_tattooed\_quilter